



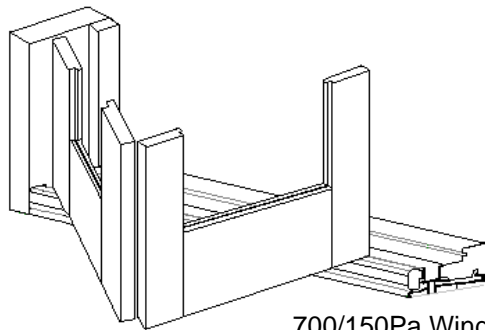
EURODOOR Cedar Bi-Folding Door

TIMBER RANGE



DESIGN FEATURES

- This Australian Design system is top hung ensuring smooth operation.
- Eurodoor Bi-folding doors are hung on Centor twin stainless steel bearing rollers.
- The standard E2 rollers will carry door panels up to 40kg.
- Euro Bi-fold windows are available to match this system.
- The centre hinge between door panels has a built in handle to allow panels to be easily pulled back into the closed position.
- Wide top & bottom rails give the door a bold appearance.
- Keyed bottom flush bolt for added security.
- Open in and recessed sill options available. (No water rating)
- Eurodoors can be fitted with the latest in screen technology - Centor ES2 integrated screening system for bi-fold doors.
- No lock or handle supplied for loose leaf panel.



700/150Pa Wind/Water Rating

Maximum Panel Height	2340mm
Maximum Overall Height	2444mm
Maximum Panel Width	820mm
Maximum Glass Width	16mm - with adaptor

Subject to individual site conditions. Contact HANLON WINDOWS Technical Support for more information.



AWA / WERS RATED PRODUCT



ENHANCED ACOUSTIC PERFORMANCE



PRODUCT INFORMATION AVAILABLE AT
WWW.HANLONWINDOWS.COM.AU



SPECIFIER ASSISTANCE AVAILABLE

TYPICAL CONFIGURATIONS

