



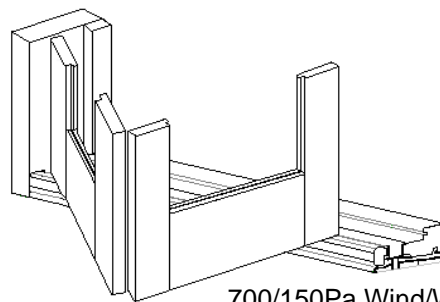
EUROWINDOW Cedar Bi-Folding Window

TIMBER RANGE



DESIGN FEATURES

- This Australian Design system is top hung ensuring smooth operation.
- EUROWINDOW Bi-folding Windows are hung on Centor twin stainless steel bearing rollers.
- The standard E2 rollers will carry window panels up to 40kg.
- EURODOOR Bi-fold doors are available to match this system.
- The centre hinge between door panels has a built in handle to allow panels to be easily pulled back into the closed position.
- Wide top & bottom rails give the door a bold appearance.
- Keyed bottom flush bolt for added security.
- Open in and recessed sill options available. (No water rating)
- Hardware available in Gold or Satin Chrome.



700/150Pa Wind/Water Rating

Maximum Overall Height	1538mm
Maximum Frame Width	2048mm - 2 panel 4016mm - 4 & 6 panel
Maximum Glass Width	16mm - with adaptor

Subject to individual site conditions. Contact HANLON WINDOWS Technical Support for more information.



AWA / WERS RATED PRODUCT



ENHANCED ACOUSTIC PERFORMANCE



PRODUCT INFORMATION AVAILABLE AT
WWW.HANLONWINDOWS.COM.AU



SPECIFIER ASSISTANCE AVAILABLE

TYPICAL CONFIGURATIONS

