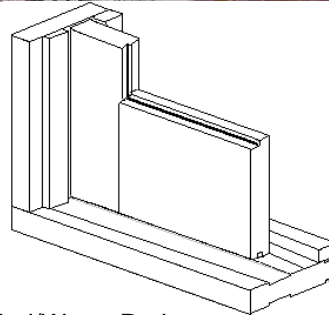


# Cedar Sliding Terrace Door



## DESIGN FEATURES

- Successfully tested to comply with Australian standard AS 2047
- Hardwood sill is used for longevity and to prevent warping and twisting.
- Door panels can be glazed with single or double glazed units up to 16mm.
- Full range of door to window products available, which allows this door to be joined to any of the timber range vertically. Glass is sealed from both sides to prevent leakage.
- Wide top & bottom rails give the door a bold appearance.
- Cedar Sliding Terrace Door can be fitted with sliding screen door.
- All doors are supplied with a keyed deadlock as standard.
- All doors have MOTIF adhered to glass as standard.



700/150Pa Wind/Water Rating

Maximum Panel Height	2340mm
Maximum Overall Height	2408mm
Maximum Panel Width	1230mm
Maximum Glass Width	16mm

*Subject to individual site conditions. Contact HANLON WINDOWS Technical Support for more information.*



AWA / WERS RATED PRODUCT



ENHANCED ACOUSTIC PERFORMANCE



PRODUCT INFORMATION AVAILABLE AT  
[WWW.HANLONWINDOWS.COM.AU](http://WWW.HANLONWINDOWS.COM.AU)



SPECIFIER ASSISTANCE AVAILABLE

## TYPICAL CONFIGURATIONS

