

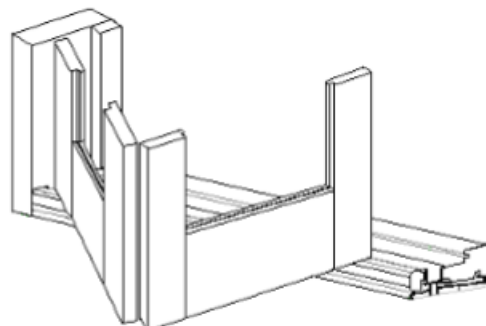


Cedar Bifold Door



Product Features:

- This Australian Design system is top hung ensuring smooth operation.
- Bi-folding doors are hung on twin stainless steel bearing rollers.
- Bi-fold windows are available to match this system.
- The centre hinge between door panels has a built-in handle to allow panels to be easily pulled back into a closed position.
- Wide top and bottom rails give this door a bold appearance.
- Keyed bottom flush bolt available for added security.
- Open in and recessed sill options available, (Note: no water rating)
- Bifold can be fitted with Centor ES2 retractable screen.
- No lock or handle provided for loose leaf door.



Max. Overall Height:	2760mm
Max. Panels:	7
Max. Glass Width:	Double Glazing Available

Subject to individual site conditions.

Typical Configurations:

