

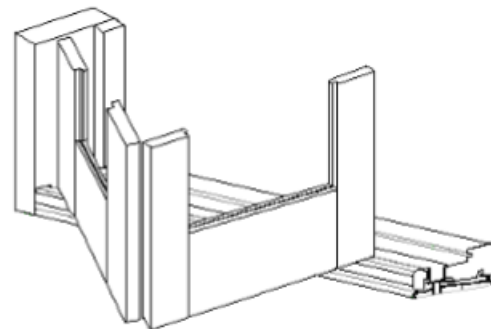


Cedar Bifold Window



Product Features:

- This Australian Design system is top hung ensuring smooth operation.
- Bi-folding windows are hung on twin stainless steel bearing rollers.
- Bi-fold doors are available to match this system.
- The centre hinge between panels has a built-in handle to allow panels to be easily pulled back into a closed position.
- Wide top and bottom rails give this door a bold appearance.
- Keyed bottom flush bolt available for added security.
- Open in and recessed sill options available. (Note: no water rating)
- Hardware available in Gold or Satin Chrome.



Max. Overall Height:	1538mm
Max. Frame Width:	2048mm – 2 Panel 4016mm – 4 & 6 Panel
Max. Glass Width:	Double Glazing Available

Subject to individual site conditions.

Typical Configurations:

