

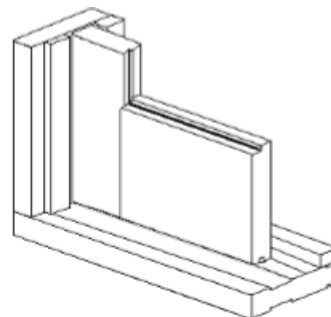


# Cedar Sliding Door



## Product Features:

- Hardwood sill is used for longevity and to prevent warping and twisting.
- Door panels can be glazed with single or double glazed units up to 16mm.
- Glass is sealed from both sides to prevent leakage.
- Wide top and bottom rails give the door a bold appearance.
- Sliding doors can be fitted with a sliding screen door.
- All doors are supplied with a keyed deadlock as standard.
- All doors have MOTIF adhered to glass as standard.



Max. Overall Height:	2750mm
Max. Panel Width:	1800mm
Max. Glass Width:	Double Glazing Available

*Subject to individual site conditions.*

## Typical Configurations:

