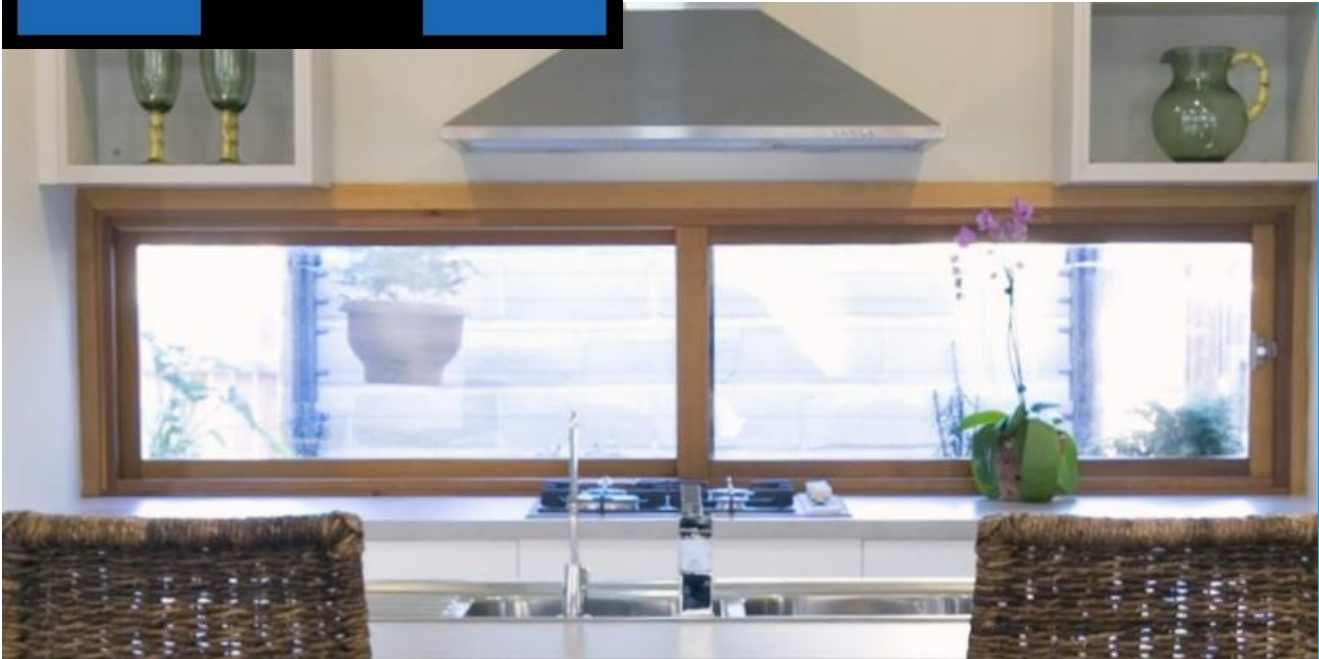


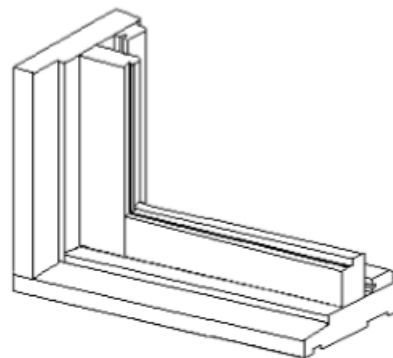


# Cedar Sliding Window



## Product Features:

- Key type cam handles supplied as standard for maximum security.
- Opening sashes operate on large diameter wheels ensuring smooth operation.
- Glass is sealed from both sides to prevent leakage.
- Cedar sliding windows are also able to be fabricated as four light sliders.
- Wide top and bottom rails give the window a bold appearance.
- Fixed sill has a tapered design to assist drainage.
- 168mm sill available.
- Flyscreens are available.



Max. Overall Height:	1550mm – without transom
Max. Overall Width:	2400mm - 2 light
Max. Glass Width:	Double Glazing Available

*Subject to individual site conditions.*

## Typical Configurations:

