

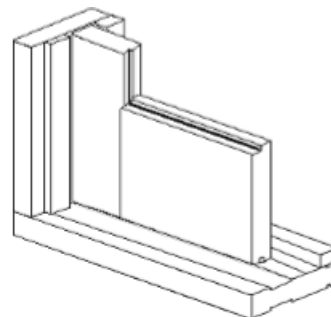


Cedar Stacking Sliding Door



Product Features:

- Hardwood sill is used for longevity and to prevent warping and twisting.
- 6 panel stacking sliding doors are designed for large openings up to 6000mm wide.
- Glass is sealed from both sides to prevent leakage.
- Wide top and bottom rails give the door a bold appearance.
- All doors are supplied with a keyed deadlock as standard.
- All doors have MOTIF adhered to glass as standard.
- Flyscreen options available in either a separate timber frame or a Centor S1 retractable screen system.



Max. Overall Height:	2750mm
Max. Panel Width:	4800mm – 3 Panel 6000mm – 6 Panel
Max. Glass Width:	Double Glazing Available

Subject to individual site conditions.

Typical Configurations:

